

REVISIONS			
REV.	DESCRIPTION	DATE	APPROVED

D

D

 $30^{+1/2}$   
 $-1/4$  OAL

 $25 \frac{1}{8}$  Hose Length

C

C

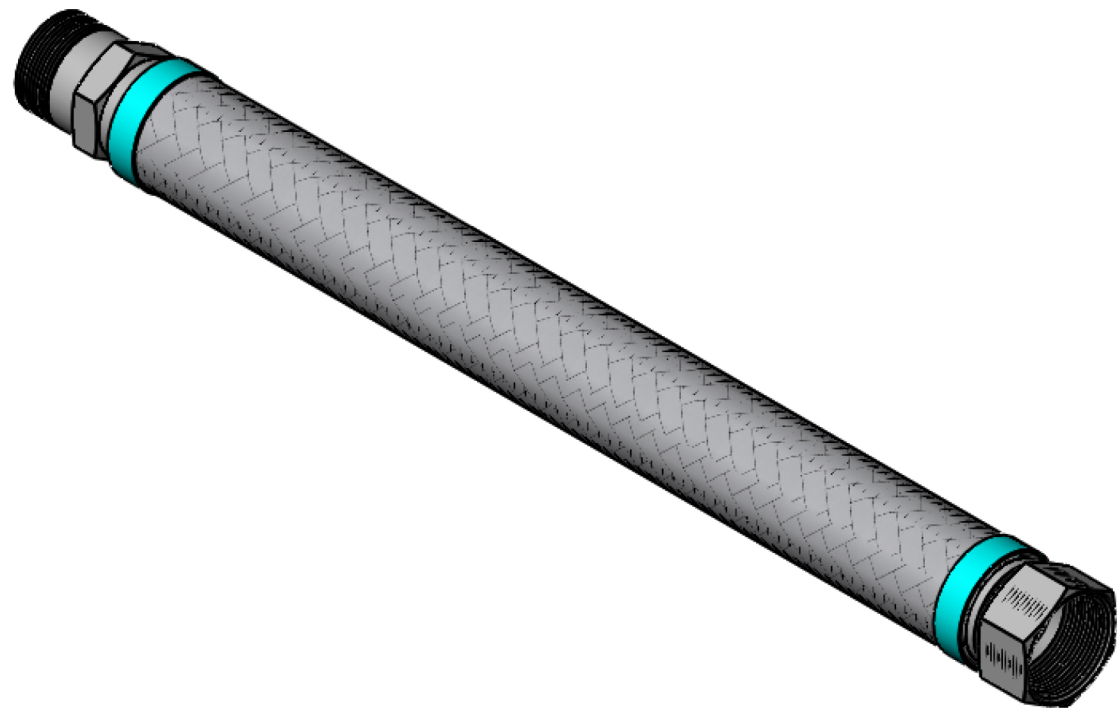
B



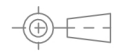
B

A

A

ITEM #	QTY.	PART NUMBER	DESCRIPTION	MATERIAL	WEIGHT
1	1	HOSE	300 Series Stainless HYDROFORMED Corrugated Hose	Stainless Steel	1.44
2	1	BRAID	300 Series Stainless Steel	Stainless Steel	0.12
3	2	BRAID COLLAR	0.05" Thick	Stainless Steel	0.09
4	1	2" MALE	2" Male, 2"x11-1/2" Thread, 2.38" Hex	Carbon Steel	1.18
5	1	2" FEMALE	2" Female, 2"x11-1/2" Thread, 2.38" Hex	Carbon Steel	0.83



		<b>HOSE MASTER Inc.</b> 1233 East 222nd Street • Cleveland, Ohio 44117 (800) 221-2319 • Fax: (216) 481-7557 • www.hosemaster.com Locations: <b>Cleveland • Houston</b>		Registered to: ISO 9001 : 2000
				
Projection:	Customer: Hose Master Inc.	Prepared By: kannk		
	Reference: Fire-Shield - 2" Male x 2" Female x 30" OAL	CALC. WEIGHT: 4 lbs.	Date: 9/24/2009	
Description: <b>2" ID x 30" OAL 300 Series Stainless HYDROFORMED Corrugated Hose covered by 300 Series Stainless Braid. UL Approved 2" Male Connector x 2" Female Connector</b>				
Drawing #:		<b>FSMF0200x30</b>	Rev.: - SHEET 1 OF 1	



8

7

6

5

4

3

2

1